

INPHENIX

Broadband Light Source Desktop

Model Number: IPSDM0825-xxxx

1. Configuration

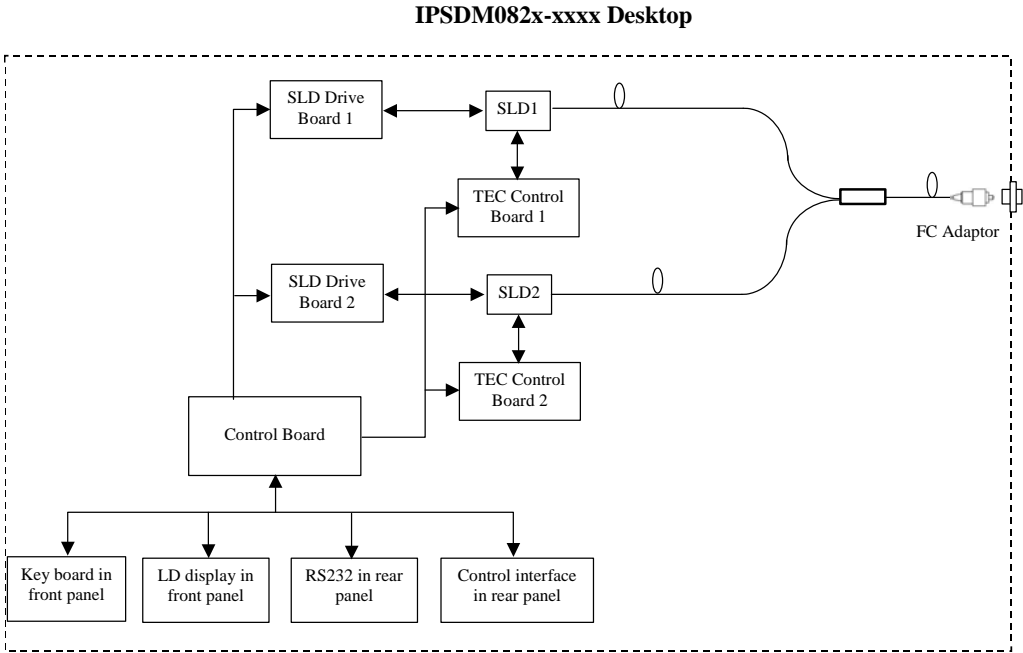


Figure 1 Configuration of IPSDM0825-xxxx SLD light source desktop

2. Absolute Maximum Ratings

Parameter	Min.	Max.	Unit
Power Supply Voltage	100	240	VAC
Storage Temperature	-40	+85	°C
Humidity	10	95	%

3. Recommended Operational Condition

Parameter	Min.	Typ.	Max.	Unit
Operating Temperature	10	25	35	°C
Operating Humidity	30	60	75	%

All information contained herein is believed to be accurate and is subject to change without notification. No responsibility is assumed. Please contact InPhenix for more information. InPhenix and the InPhenix logo are trademarks of InPhenix Inc. All rights are reserved.

INPHENIX

4. Optical characteristics

Items	Specifications			Unit	Notes
	Min.	Typ.	Max.		
Central Wavelength	810	850	870		@25°C and CW optical power. Connectors are included.
Total Optical Power	7.5	-	-	mW	
3 dB Optical Bandwidth	100	-	-	nm	
Wavelength Range@-6dB	760	-	920	nm	
ASE Ripple @ 0.1nm	-	-	5	%	
Spectrum Flatness (DIP)	-	1.0	2.0	dB	
Optical Power Stability (8hr)	-	-	±0.1	dB	Stability test of Pmax after 0.5 hour warm up at 25°C.
Optical Interface	FC Female Adapter			-	As shown in Section 6 in detail
Connector Type	FC/APC			-	
Fiber type	SMF/PMF			-	

5. Electrical characteristics

Item	Specifications			Unit	Notes
	Min.	Typ.	Max.		
Optical Power Control	Independent current control for each SLD			-	Press keyboard in the front panel manually, or via RS232 by computer.
SLD Drive Current Monitor	SLD drive current display on Screen			-	Or get data through RS232.
Keyboard lock	Lock & Key switch for front panel buttons' activation			-	A keyboard disable switch in the rear panel.
Connector for RS232	DB9 Connector, Male			-	In the rear panel
Connector for Control	DB9 Connector, Female			-	



6. Physical Dimensions and Mechanical Specifications

Size: 344mm(W)×260mm(D)×90mm(H)

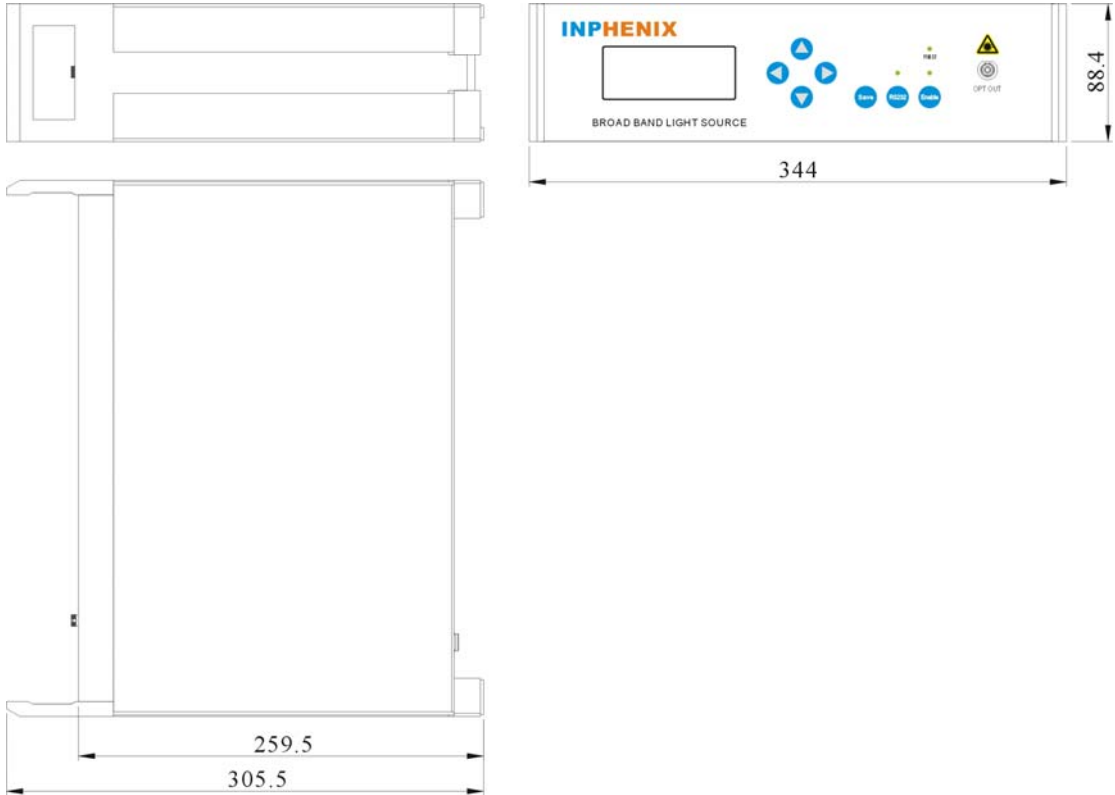
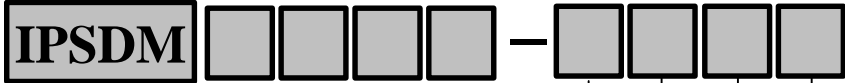


Figure 2 Mechanical drawing of IPSDM0825-0318 SLD light source desktop

INPHENIX

7. Part Numbering Structure of SLD light source desktop



Model Number

- 07**: 700~790nm SLD
- 08**: 800~890nm SLD
- 09**: 900~990nm SLD
- 10**: 1010~1090nm SLD
- 13**: 1300~1390nm SLD
- 14**: 1400~1490nm SLD
- 15**: 1500~1590nm SLD

Output Type

- 0: FC Adaptor
- 1: Pigtail fiber

Connector Type

- 0: No Connectors
- 3: FC/APC 4: FC/UPC
- 7: SC/APC 8: SC/UPC

Fiber Type

- 1: 900 μm SM Fiber
- 2: 900 μm PM Fiber

Case Size

- 8: 344×260×90mm case
- 9: 450×300×90mm case

Example: IPSDM0820-0318: 850nm-type SLD light source desktop in 344×260×90mm case with FC adaptor output, 900um SM fiber with FC/APC connector.

Corporate Office
 250 North Mines Rd
 Livermore, CA 94551
 Tel: 925.606.8809
 Fax: 925.606.8810
www.inphenix.com
sales@inphenix.com