

INPHENIX

SLD Light Source Desktop

Part Number: IPSDM1503-xxxx

1. Configuration

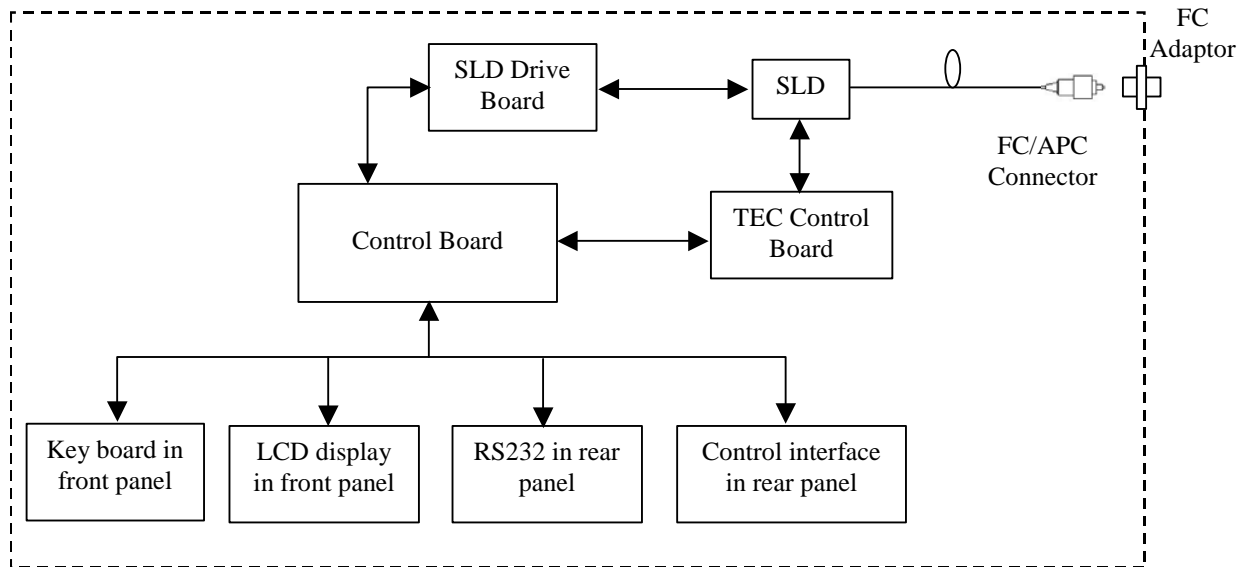


Figure 1 Configuration of IPSDM1503-xxxx SLD light source desktop

2. Absolute Maximum Ratings

| Parameter | Min. | Typ. | Max. | Unit |
|----------------------|------|------|------|------|
| Power Supply Voltage | 100 | - | 240 | VAC |
| Storage Temperature | -40 | - | +85 | °C |
| Humidity | 10 | - | 100 | % |

3. Recommended Operational Condition

| Parameter | Min. | Typ. | Max. | Unit |
|-----------------------|------|------|------|------|
| Operating Temperature | 10 | 25 | 35 | °C |
| Operating Humidity | 30 | 60 | 75 | % |

INPHENIX

4. Optical characteristics

| Items | Specifications | | | Unit | Notes |
|--|-------------------|------|------|------|---|
| | Min. | Typ. | Max. | | |
| Center Wavelength (at center of FWHM) | 1520 | 1550 | 1590 | nm | @ 25°C, CW optical output and optical connector included. |
| 3dB Optical Bandwidth | 55 | 60 | - | nm | |
| Optical Output Power | 2 | 3 | - | mW | |
| ASE Ripple @ 0.1nm | - | 0.2 | 0.3 | dB | |
| Optical Power Stability (8hr) | - | - | ±0.1 | dB | Stability test of P _{max} after 0.5 hour warm up at 25°C |
| Optical Interface | FC Female Adapter | | | - | |
| Fiber Connector | FC/APC | | | - | |
| Optical Isolator | None included | | | - | |
| Fiber type | SMF/PMF/MMF | | | - | |

5. Electrical characteristics

| Item | Specifications | | | Unit | Notes |
|---------------------------|---|------|------|------|---|
| | Min. | Typ. | Max. | | |
| Power Control | Current control for SLD | | | - | Press keyboard in the front panel manually, or via RS232 by computer. |
| SLD Drive Current Monitor | SLD drive current display on Screen | | | - | Or get data through RS232. |
| Keyboard lock | Lock & Key switch for front panel buttons' activation | | | - | A keyboard disable switch in the rear panel. |
| Connector for RS232 | DB9 Connector, Male. | | | - | In the rear panel |
| Connector for Control | DB9 Connector, Female. | | | - | |



6. Physical Dimensions and Mechanical Specifications

Size: 344mm(W)×260mm(D)×90mm(H)

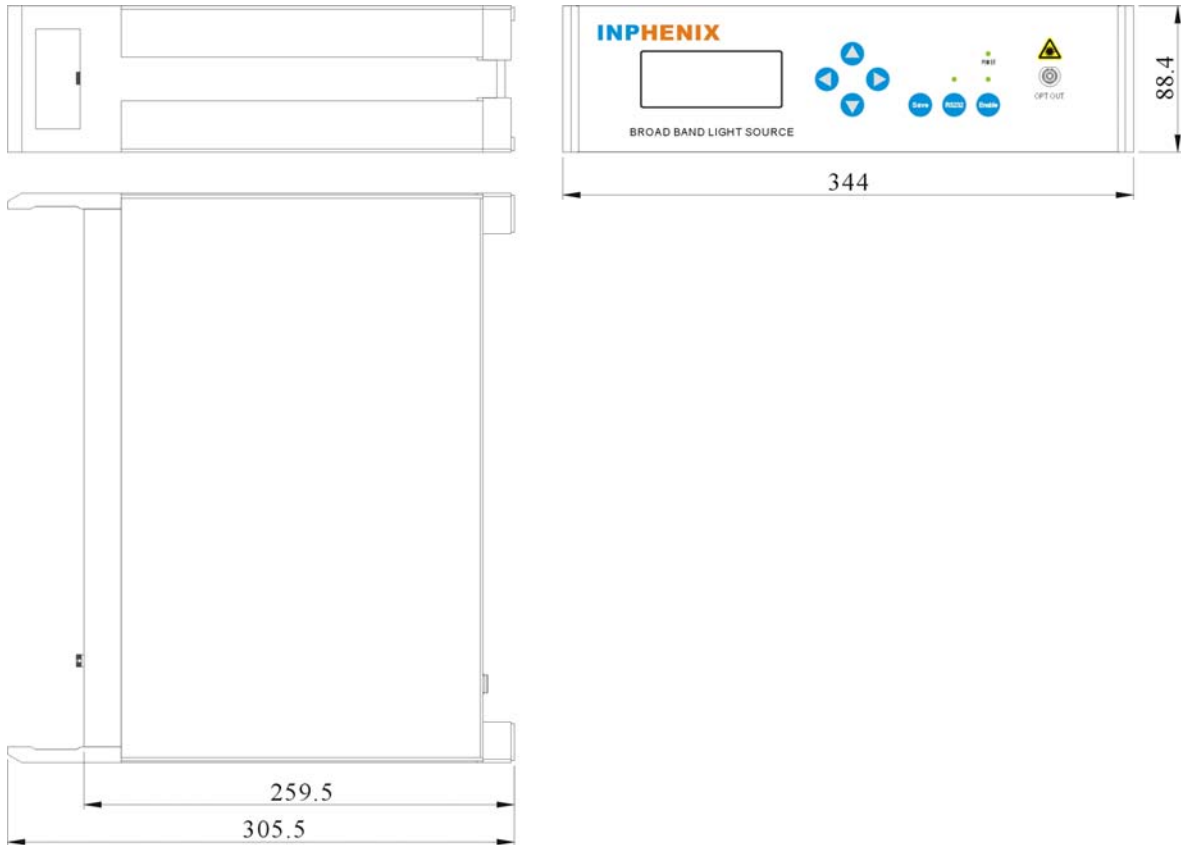
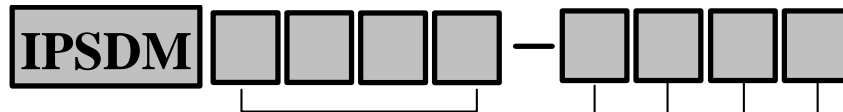


Figure 2 Mechanical drawing of IPSDM1503-xx8 SLD light source desktop

INPHENIX

7. Part Numbering Structure of SLD light source desktop



Model Number

- 07** : 700~790nm SLD
- 08** : 800~890nm SLD
- 09** : 900~990nm SLD
- 10** : 1010~1090nm SLD
- 13** : 1300~1390nm SLD
- 14** : 1400~1490nm SLD
- 15** : 1500~1590nm SLD

Output Type

- 0: FC Adaptor
- 1: Pigtail fiber

Connector Type

- 0: No Connectors
- 3: FC/APC 4: FC/UPC
- 7: SC/APC 8: SC/UPC

Fiber Type

- 1: SM Fiber
- 2: PM Fiber
- 3: MM Fiber

Case Size

- 8: 344×260×90mm case
- 9: 450×300×90mm case

Example: IPSDM0701-0318: 700nm-type SLD light source desktop in 344×260×90mm case with FC adaptor output, 900μm SM fiber with FC/APC connector.

Corporate Office

250 North Mines Rd
 Livermore, CA 94551
 Tel: 925.606.8809
 Fax: 925.606.8810
www.inphenix.com
sales@inphenix.com