

# INPHENIX

## SLD Light Source Desktop

Part Number: IPSDM1511-xxxx

### 1. Configuration

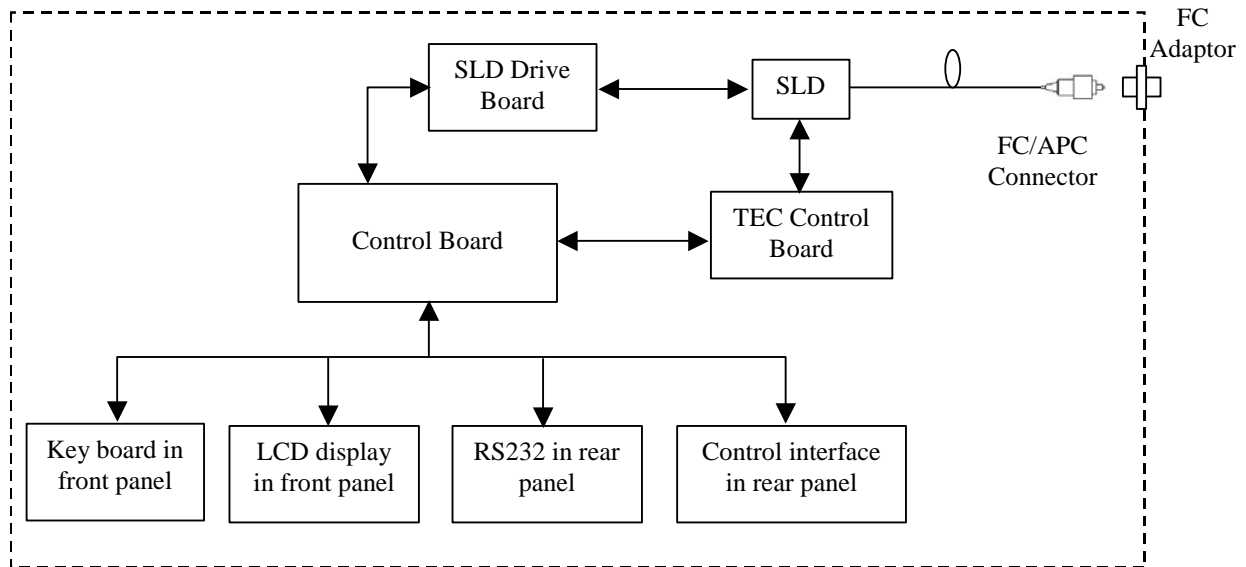


Figure 1 Configuration of IPSDM1511-xxxx SLD light source desktop

### 2. Absolute Maximum Ratings

| Parameter            | Min. | Typ. | Max. | Unit |
|----------------------|------|------|------|------|
| Power Supply Voltage | 100  | -    | 240  | VAC  |
| Storage Temperature  | -40  | -    | +85  | °C   |
| Humidity             | 10   | -    | 100  | %    |

### 3. Recommended Operational Condition

| Parameter             | Min. | Typ. | Max. | Unit |
|-----------------------|------|------|------|------|
| Operating Temperature | 10   | 25   | 35   | °C   |
| Operating Humidity    | 30   | 60   | 75   | %    |

# INPHENIX

## 4. Optical characteristics

| Items                                    | Specifications    |      |      | Unit | Notes   |
|--|-------------------|------|------|------|---|
|  | Min.              | Typ. | Max. |      |   |
| Center Wavelength<br>(at center of FWHM) | 1570              | 1580 | 1590 | nm   | @ 25°C, CW optical output and optical connector included.         |
| 3dB Optical Bandwidth                    | 65                | 75   | -    | nm   |   |
| Optical Output Power                     | 8                 | 10   | -    | mW   |   |
| ASE Ripple @ 0.1nm                       | -                 | 0.4  | 0.5  | dB   |   |
| Optical Power Stability<br>(8hr)         | -                 | -    | ±0.1 | dB   | Stability test of P <sub>max</sub> after 0.5 hour warm up at 25°C |
| Optical Interface                        | FC Female Adapter |      |      | -    |   |
| Fiber Connector                          | FC/APC            |      |      | -    |   |
| Optical Isolator                         | None included     |      |      | -    |   |
| Fiber type                               | SMF/PMF/MMF       |      |      | -    |   |

## 5. Electrical characteristics

| Item                      | Specifications  |      |      | Unit | Notes   |
|---------------------------|---|------|------|------|---|
|                           | Min.  | Typ. | Max. |      |   |
| Power Control             | Current control for SLD                               |      |      | -    | Press keyboard in the front panel manually, or via RS232 by computer. |
| SLD Drive Current Monitor | SLD drive current display on Screen                   |      |      | -    | Or get data through RS232.  |
| Keyboard lock             | Lock & Key switch for front panel buttons' activation |      |      | -    | A keyboard disable switch in the rear panel.                          |
| Connector for RS232       | DB9 Connector, Male.                                  |      |      | -    | In the rear panel   |
| Connector for Control     | DB9 Connector, Female.                                |      |      | -    |   |



## 6. Physical Dimensions and Mechanical Specifications

Size: 344mm(W)×260mm(D)×90mm(H)

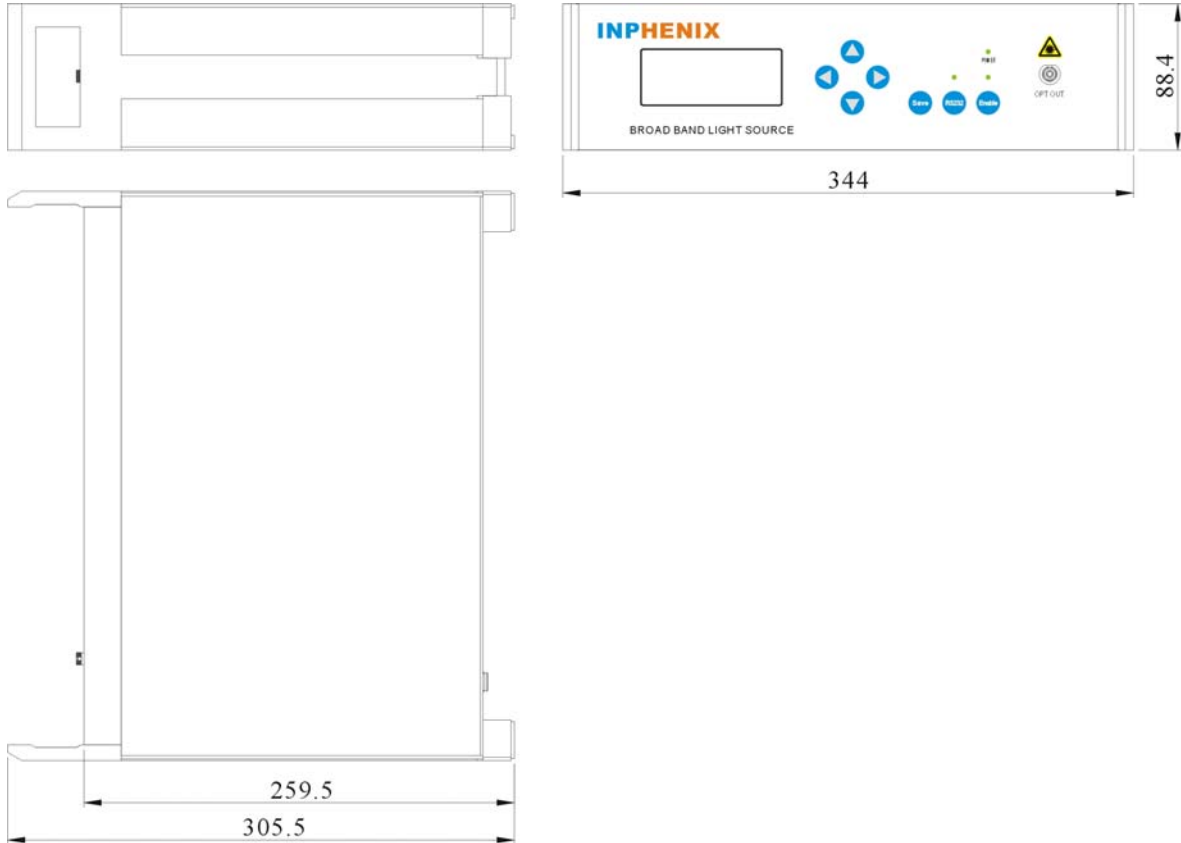
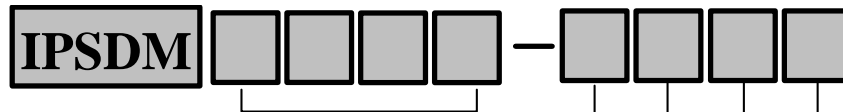


Figure 2 Mechanical drawing of IPSDM1511-xxx8 SLD light source desktop

# INPHENIX

## 7. Part Numbering Structure of SLD light source desktop



**Model Number**

- 07\*\*: 700~790nm SLD
- 08\*\*: 800~890nm SLD
- 09\*\*: 900~990nm SLD
- 10\*\*: 1010~1090nm SLD
- 13\*\*: 1300~1390nm SLD
- 14\*\*: 1400~1490nm SLD
- 15\*\*: 1500~1590nm SLD

**Output Type**

- 0: FC Adaptor
- 1: Pigtail fiber

**Connector Type**

- 0: No Connectors
- 3: FC/APC    4: FC/UPC
- 7: SC/APC    8: SC/UPC

**Fiber Type**

- 1: SM Fiber
- 2: PM Fiber
- 3: MM Fiber

**Case Size**

- 8: 344×260×90mm case
- 9: 450×300×90mm case

**Example:** IPSDM0701-0318: 700nm-type SLD light source desktop in 344×260×90mm case with FC adaptor output, 900μm SM fiber with FC/APC connector.

**Corporate Office**

250 North Mines Rd  
 Livermore, CA 94551  
 Tel: 925.606.8809  
 Fax: 925.606.8810  
[www.inphenix.com](http://www.inphenix.com)  
[sales@inphenix.com](mailto:sales@inphenix.com)