

Super-Luminescent Light Emitting Diode (SLD)

TO CAN Packaged Devices



Features

- High power and broad band
- Low coherence length
- Uncooled & Cooled TO package
- Monitor PD is an option

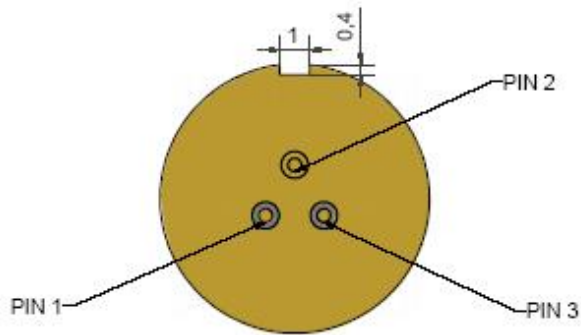
Applications

- High Voltage & Current Monitor
- Optical Fiber sensor systems
- Optical communication

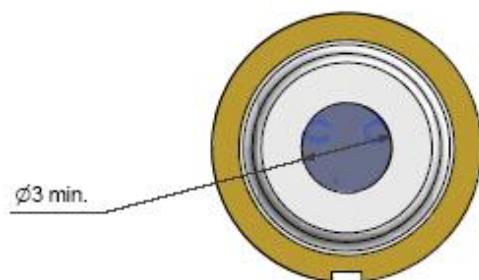
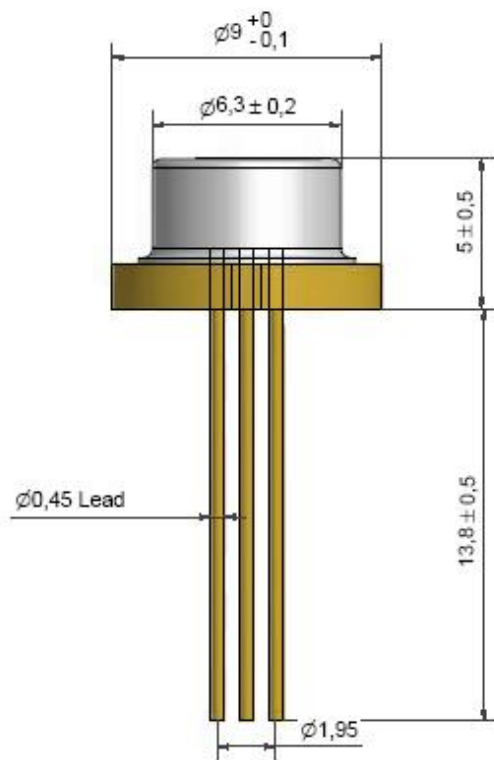
IPSDT1501 SLD Pigtailed Coaxial Device Specifications (T_{case}=25°C)

Parameter	Min.	Typ.	Max.	Unit	Test Condition
Central Wavelength	1520	1550	1570	nm	
3 dB Bandwidth	35	40	-	nm	
Output Power	0.2	-	-	mW	SM Fiber Output
Operating Current	-	120	160	mA	
Forward Voltage	-	2	2.2	V	
Spectral Ripple	-	0.1	0.5	dB	

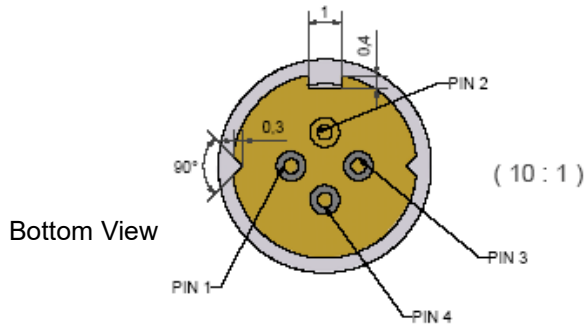
Detailed Information about operation/storage temperature available upon request: Contact sales@inphenix.com for more details



Pin#	Connection
1	SLD Anode
2	SLD Cathode, PD Cathode and Case
3	PD Anode

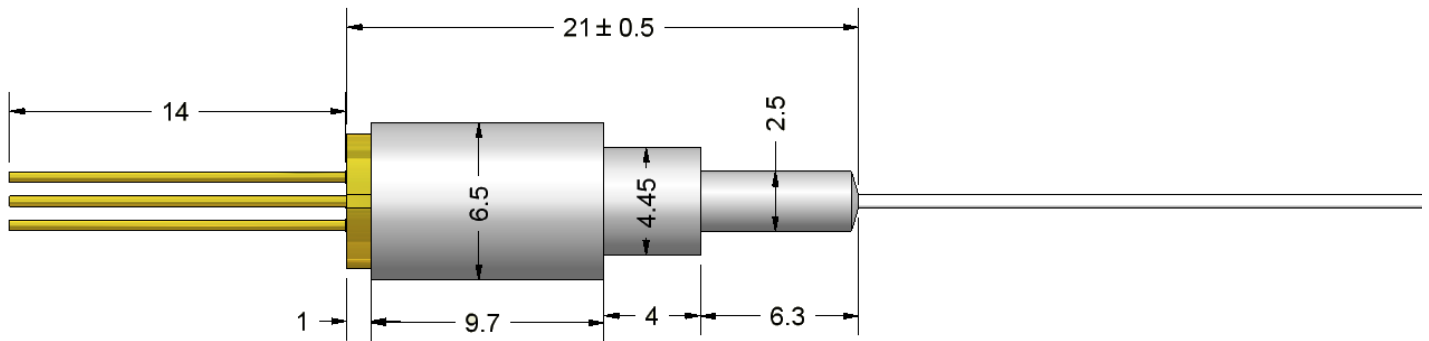


$\varnothing 9$ mm TO-CAN (TO5/TO9/TO39)



Pin#	Connection
1	PD Anode
2	SLD Cathode, PD Cathode and Case
3	SLD Anode
4	

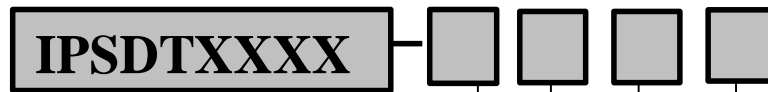
Pigtail Information	
Connector	TBD
Fiber	SMF
Fiber Length	0.5 m



Unit: mm

φ5.6 mm Pigtailed Coaxial Device (TO56 Header)

Part Numbering System



Model-

IPSDT1303: 1310nm SLD TO CAN

IPSDT1501: 1550nm SLD TO CAN

Package-

7: TO 56

8: TO 8

9: TO 9

Fiber Type:

0: No Cap 1: Single Mode 5: Ball Lens

6: Flat Glass 7: Aspheric Lens

Jacket Type:

0: No Jacket

1: 900 μm

2: 250 μm tight buffer

Connector Type:

0: No Connectors

3: FC/APC

4: FC/UPC

7: SC/APC

8: SC/UPC

Back Facet Monitor:

Available upon request

Example: IPSDT1303-7113: 1310nm SLD, TO 56, Single Mode Fiber, 900 μm and FC/APC Connector.

Corporate Office

250 North Mines Rd

Livermore, CA 94551

Tel: 925.606.8809

Fax: 925.606.8810

www.inphenix.com

sales@inphenix.com